



Specification

P/N:TJMCDA-BA-013-W

**1450 ~ 1550MHz Omnidirectional
Antenna with N-Type(M) Connector**

Technical Specifications

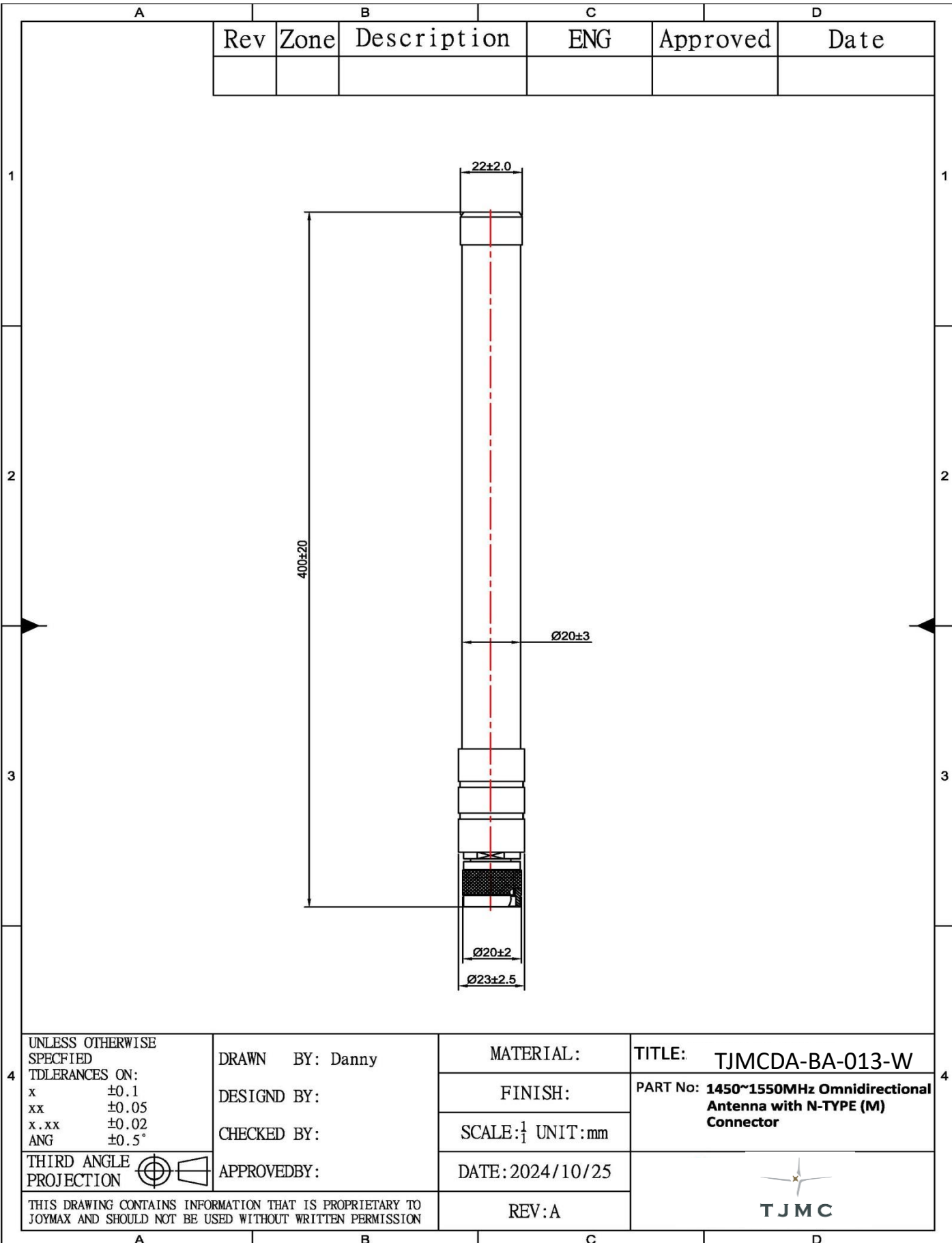
Electrical

Frequency(MHz)	Efficiency(%)	Gain(dBi)	Test frequency	V.S.W.R	Polarization:	Impedance:
1450~1550MHz	84.79	2.44	1450MHz	<2.3	Linear	50 Ω
			1550MHz	<2.3		

Mechanical

Connector:	N-Type (M)ST
Antenna length:	400mm
Antenna Diameter:	23mm
Casing:	Fiberglass
Cable Type	NA
Operation Temperature:	-20°C ~ + 80°C
Storage Temperature:	-20°C ~ + 80°C

Mechanical Drawing



UNLESS OTHERWISE SPECIFIED
 TOLERANCES ON:
 x ±0.1
 xx ±0.05
 x.xx ±0.02
 ANG ±0.5°

DRAWN BY: Danny

DESIGNED BY:

CHECKED BY:

APPROVED BY:



THIRD ANGLE PROJECTION

THIS DRAWING CONTAINS INFORMATION THAT IS PROPRIETARY TO JOYMAX AND SHOULD NOT BE USED WITHOUT WRITTEN PERMISSION

MATERIAL:

FINISH:

SCALE: 1 UNIT:mm

DATE: 2024/10/25

REV: A

TITLE: TJMCDA-BA-013-W

PART No: 1450~1550MHz Omnidirectional Antenna with N-TYPE (M) Connector



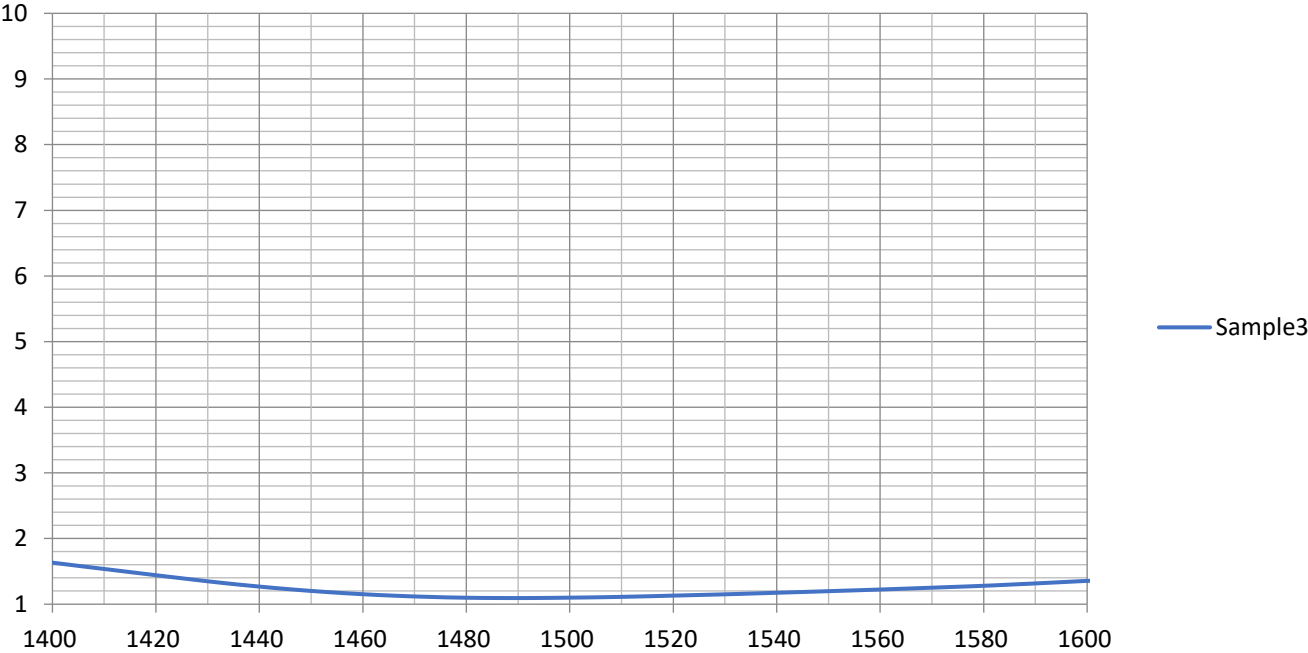
TJMC

S Parameter Test Data

VSWR



Sample 3

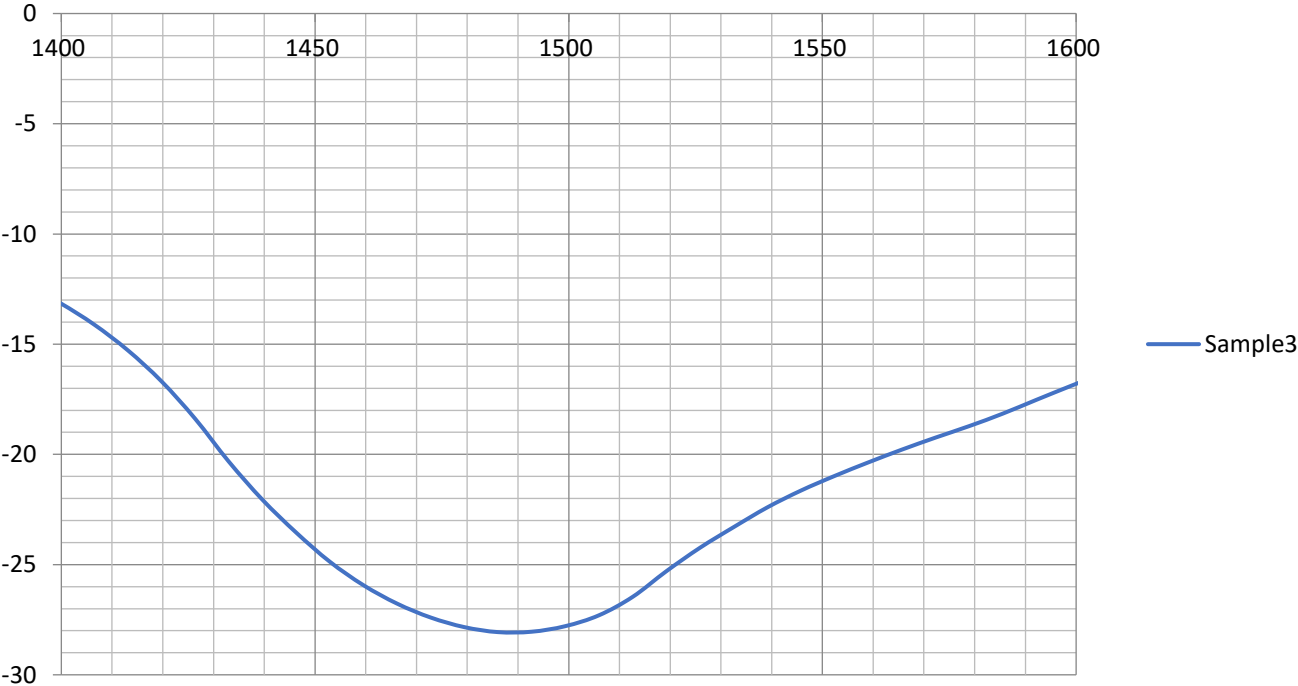


MARK	MARK1	MARK2
Freq.	1450.00MHz	1550.00MHz
3	1.20	1.20

S Parameter Test Data

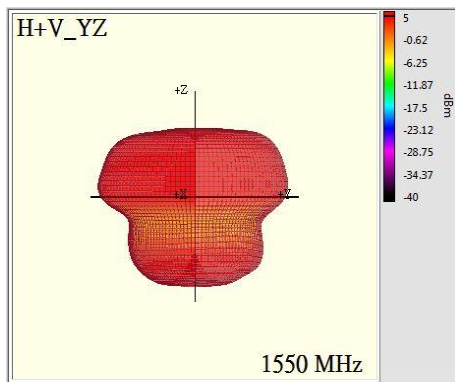
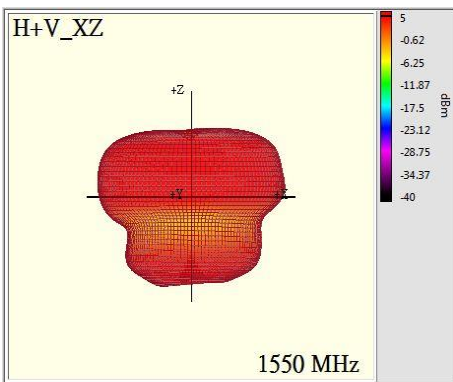
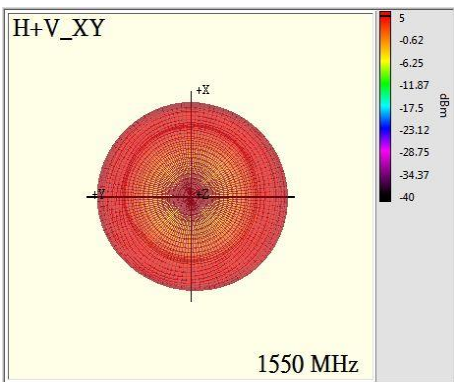
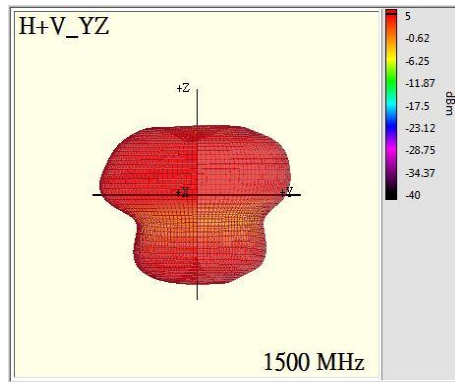
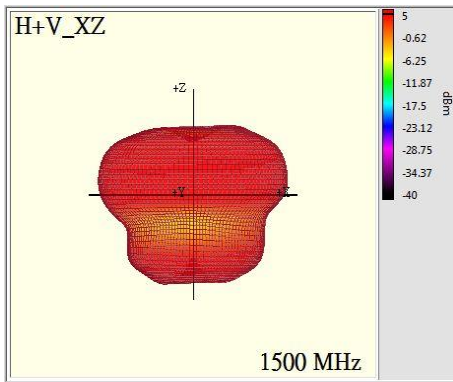
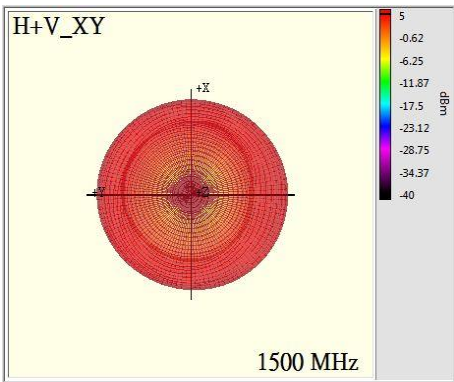
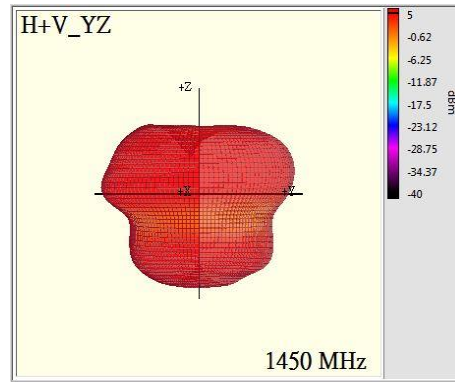
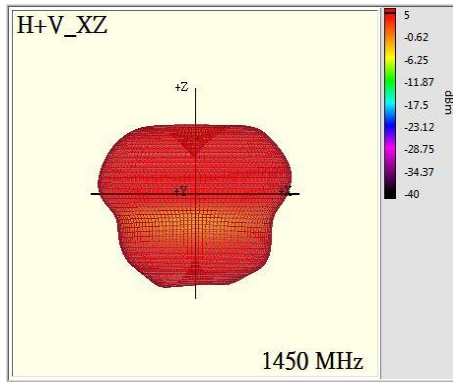
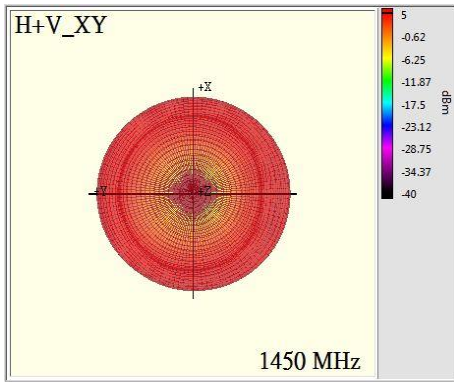
Return Loss

Sample 3



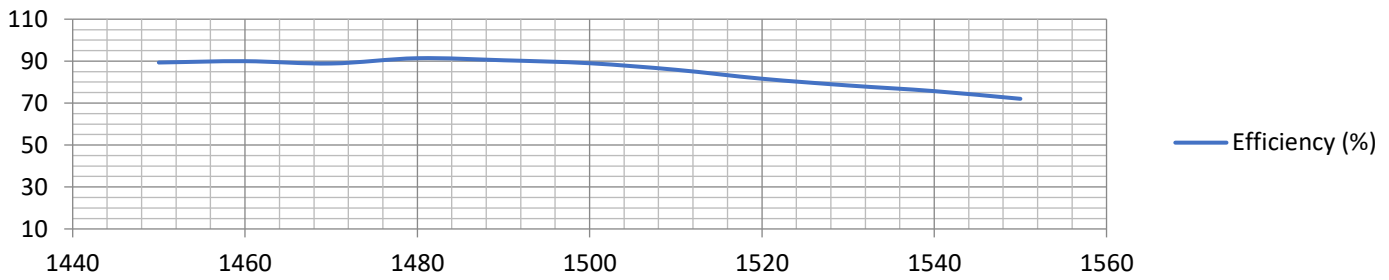
MARK	MARK1	MARK2
Freq	1450.00MHz	1550.00MHz
Value	-24.29	-21.22

Antenna Radiation Pattern



Antenna Gain & Efficiency

Efficiency (%)



Gain (dBi)

