



Specification

P/N:TJMCDA-D3-042-18-B-NI

5.8GHz Drone Antenna 180L SMA(M)ST

Technical Specifications

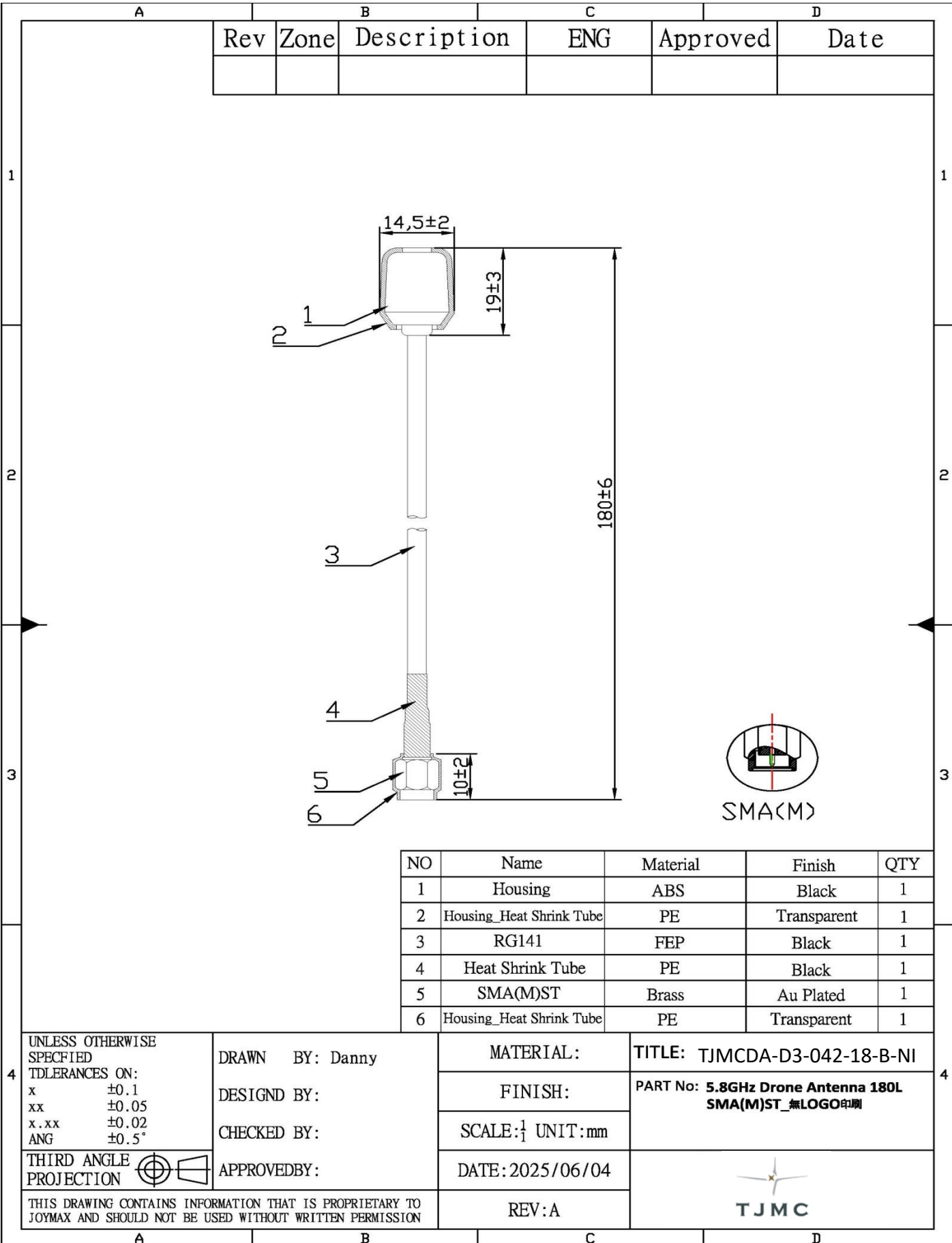
Electrical

Frequency (MHz)	Efficiency(%)	Gain(dBi)	Test frequency	V.S.W.R	Polarization:	Impedance:
5.75~5.95GHz	75.52	2.13	5.75GHz	<2.3	RHCP	50 Ω
			5.8GHz	<2.3		
			5.925GHz	<2.3		

Mechanical

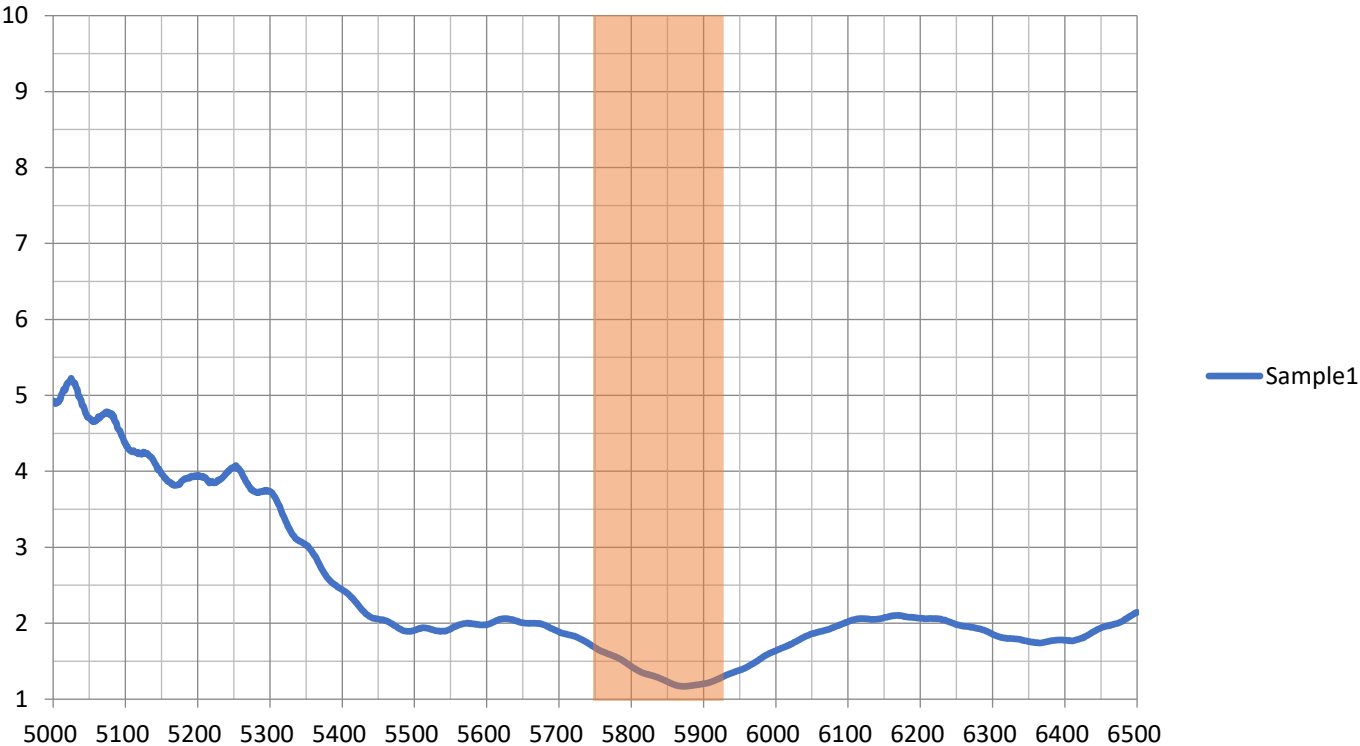
Connector:	SMA(M)ST
Antenna length:	180mm
Antenna Diameter:	14.5mm
Casing:	ABS
Cable Type	RG141
Operation Temperature:	-20°C ~ + 80°C
Storage Temperature:	-20°C ~ + 80°C

Mechanical Drawing



S Parameter Test Data

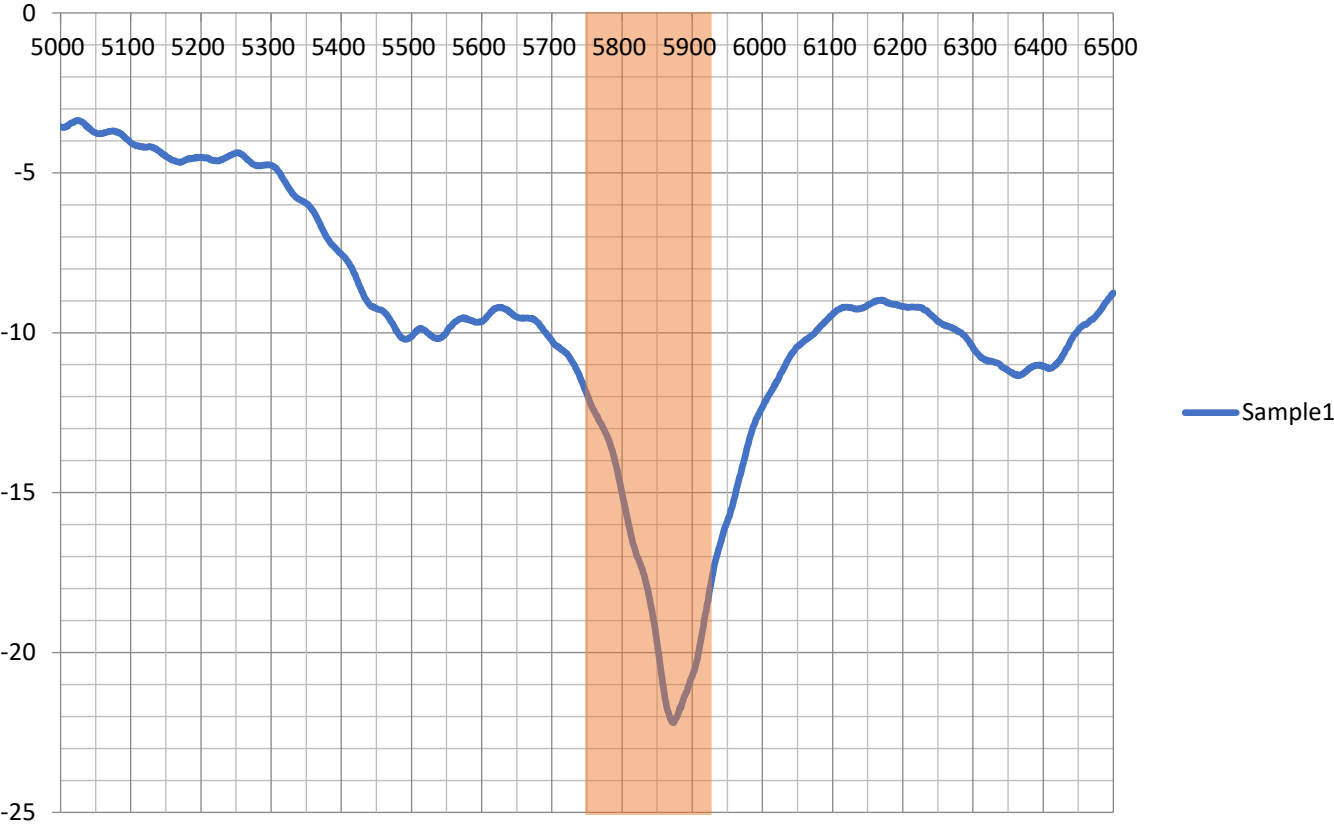
VSWR



MARK	MARK1	MARK2	MARK3
Freq	5750.00MHz	5800.00MHz	5925.00MHz
1	1.68	1.43	1.29

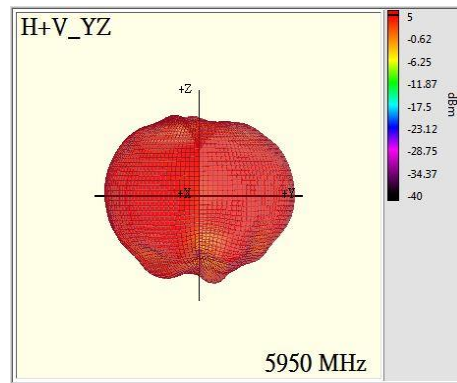
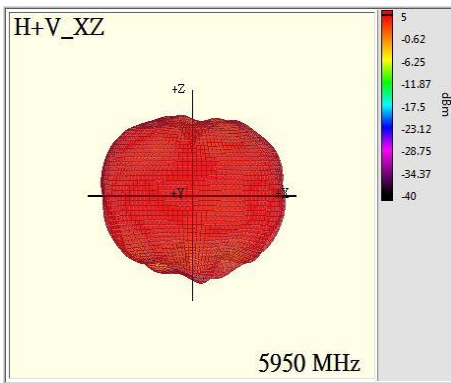
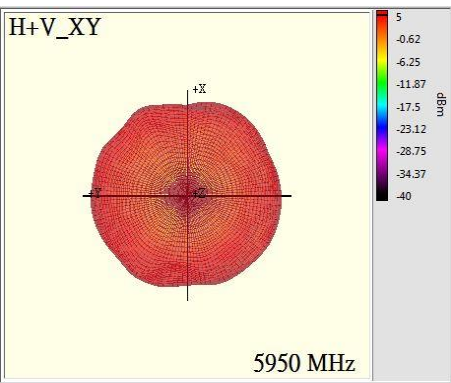
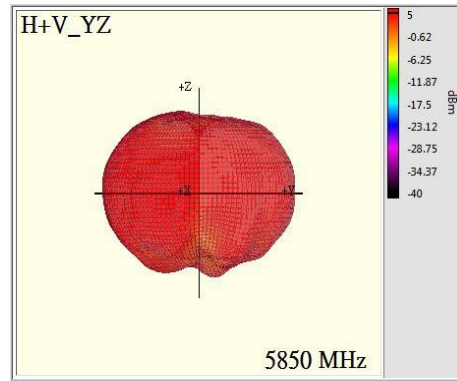
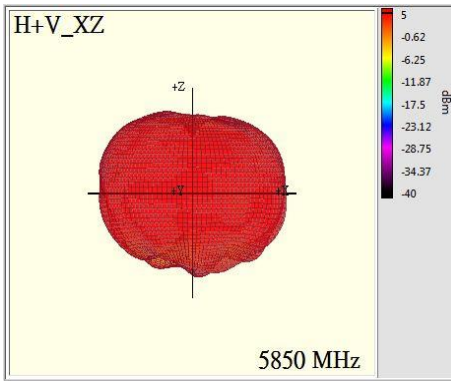
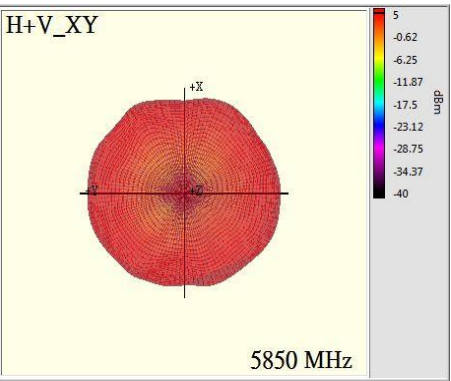
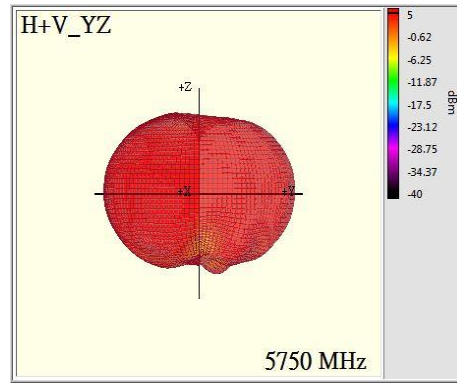
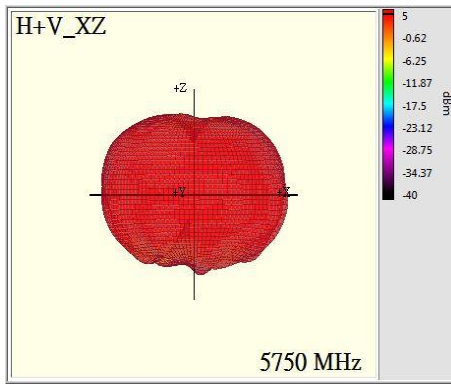
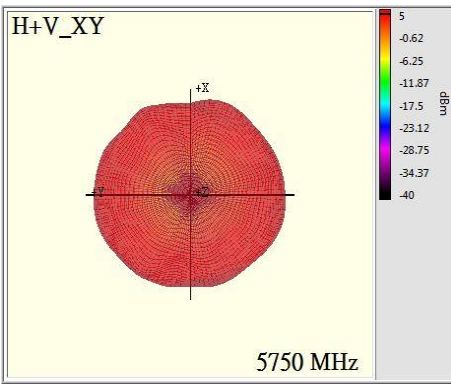
S Parameter Test Data

Return Loss



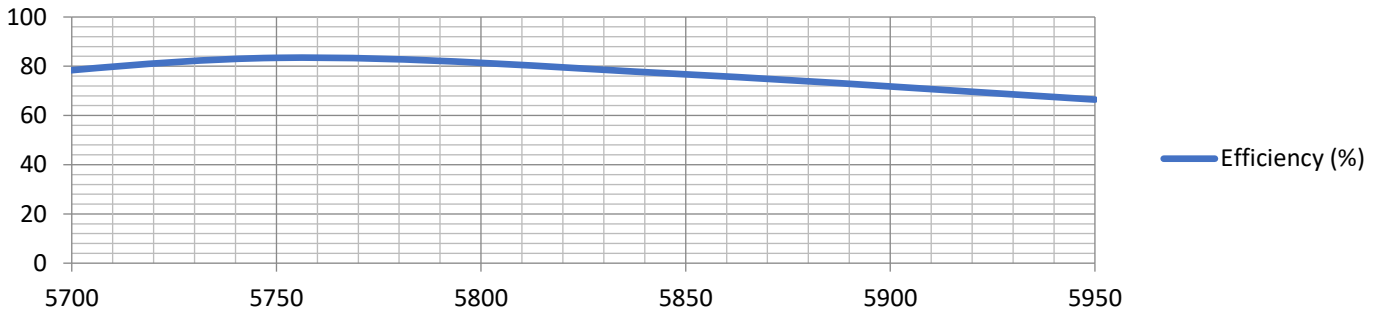
MARK	MARK1	MARK2	MARK3
Freq.	5750.00MHz	5800.00MHz	5925.00MHz
1	-11.98	-15.01	-18.01

5750 ~ 5925MHz Radiation Pattern



5750 ~ 5925MHz Antenna Efficiency & Gain

Efficiency (%)



Gain (dBi)

